

DATE
OCT. 30, 2015
CATALOG NO.
QT0606

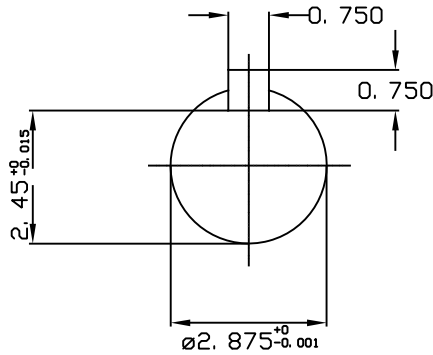
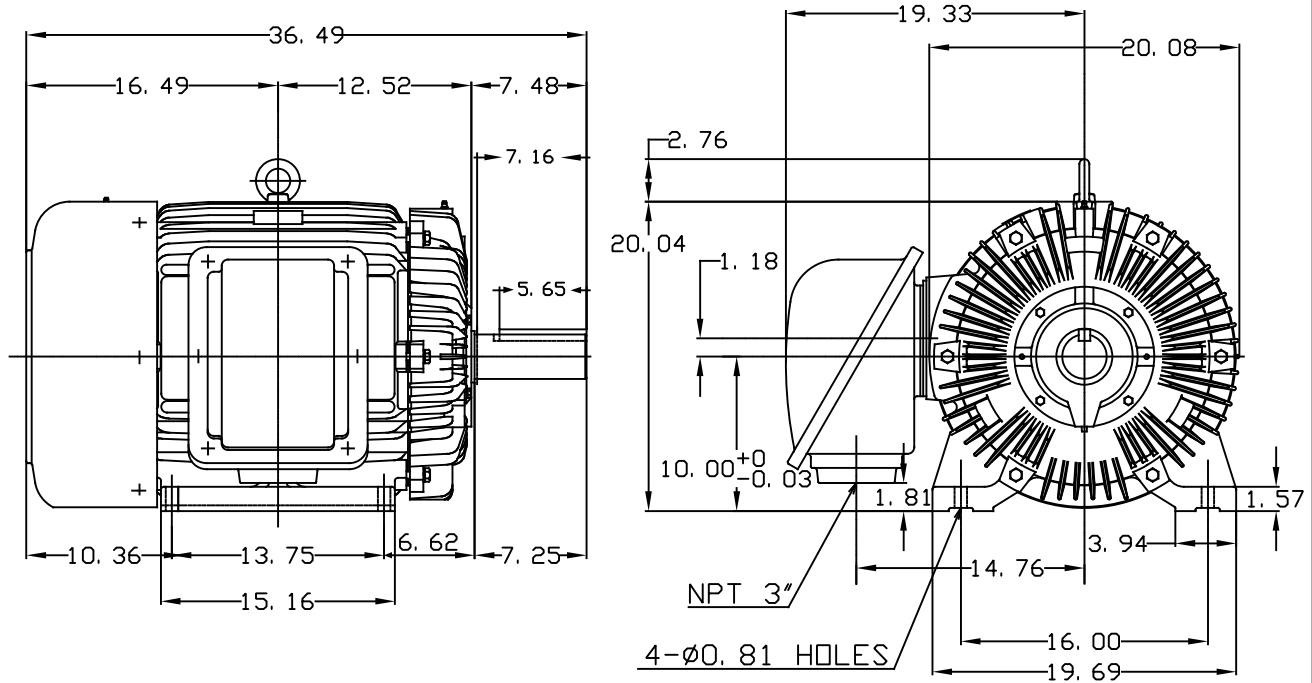
OUTLINE DIMENSIONS
3-PHASE INDUCTION MOTOR

MOTOR TYPE:
AEEAFP
FRAME NO. 405T

Pole	HP	KW	Hz	VOLT	Syn. Speed RPM
6	60	45	60	230/460	1200

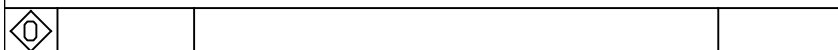
Ins	Rating	Dimension in	Approx Weight	Bearings	
F	CONT.	inches	1166 lbs.	DE: 6317	NDE: 6313

Totally Enclosed Fan Cooled Type. Squirrel-cage Rotor.



NOTE:

1. KLIXON 9700 THERMOSTAT, ONE PER PHASE, LEADS TERMINATE IN MAIN LEAD T-BOX. NORMALLY CLOSED.



DWN. C. COOK 10-30-15

TECO Westinghouse

DWG NO.
QT0606-404T